

# KOMATSU

## WA200-8

*EU Stage IV Engine*

**WHEEL LOADER**

PRELIMINARY



# WA200

**ENGINE POWER**

95,2 kW / 128 HP @ 2.000 rpm

**OPERATING WEIGHT**

11.700 - 12.000 kg

**BUCKET CAPACITY**

1,7 - 2,4 m<sup>3</sup>

## INCREASED FUEL EFFICIENCY AND ENVIRONMENTAL PERFORMANCE

### *Powerful and Environmentally Friendly*

- NEW** • EU Stage IV engine
- Highly efficient hydrostatic drive line
- NEW** • High efficiency buckets
- Komatsu SmartLoader Logic
- Eco-gauge & adjustable idle shutdown

### *First-Class Comfort*

- NEW** • New, air-suspended operator seat with integrated multifunction lever console
- Low-noise design
- Rear-view camera system
- NEW** • Large multifunctional monitor
- NEW** • DAB + digital radio (option)



**PZ-linkage**

- Combines advantages of Z-bar linkage with parallel lift
- NEW** • High-lift boom (option)
- Fast pallet handling
- Excellent break-out force and easy bucket fill
- High tilt forces give perfect control of heavy attachments
- Auto bucket tilt-in avoids material spillage when lifting

**Responsive hydrostatic drive line (HST)**

- Instant response for fast loading cycles
- Easy control in confined areas
- Advanced traction control system for best traction and minimized tyre wear (K-TCS)
- Top speed selection for increased safety

**Easy maintenance**

- Wide core radiator with auto reversible fan speeds up cleaning
- Factory fitted automatic lubrication system
- Large gull-wing doors for easy access to service points

**KOMTRAX**

- Komatsu Wireless Monitoring System
- NEW** • 3G mobile communications
- Increased operational data and fuel savings
- NEW** • Integrated communication antenna



*New, low consumption EU Stage IV Komatsu SAA6D107E-3 engine.*




*New, high efficiency buckets with new shape for easier and more efficient material handling.*



*New operator seat and optional new joystick steering for maximum operator comfort.*



*New full rear fenders are standard.*



Complimentary maintenance program for customers

## ENGINE

Model	Komatsu SAA6D107E-3
Type	Common rail direct injection, water-cooled, emissionised, turbocharged, after-cooled diesel
Engine power	
at rated engine speed	2.000 rpm
ISO 14396	95,2 kW / 128 HP
ISO 9249 (net engine power)	94 kW / 126 HP
No. of cylinders	6
Bore × stroke	107 × 124 mm
Displacement	4,49 l
Fan drive type	Hydraulic, reversible
Batteries	2 × 92 Ah
Alternator	90 A

## TRANSMISSION

Drive system	Electronically controlled hydrostatic transmission, switchable in all directions under full power
Hydrostatic pump	1 variable piston pump
Hydrostatic motor	2 variable piston motors
Speed ranges (forwards/backwards)	4/4
Max. travel speeds (forwards/backwards) (tyres 20.5 R25)	
1. speed range	5,2 - 14,3 km/h
2. speed range	14,3 km/h
3. speed range	23,2 km/h
4. speed range	38 km/h

## HYDRAULIC SYSTEM

Hydraulic pump	Gear pump
Working pressure	210 kg/cm <sup>2</sup>
Maximum pump flow	85 + 54 l/min
No. of hydraulic/ bucket cylinders	2/1
Type	Double-action
Bore diameter × stroke	
Boom cylinder	125 × 765 mm
Bucket cylinder	150 × 504 mm
Hydraulic cycle with rated load bucket filling	
Raise time	5,7 s
Lowering time (empty)	3,2 s
Dumping time	1,9 s

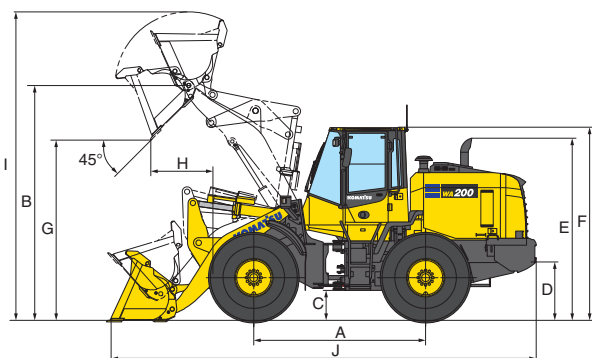
## CHASSIS AND TYRES

System	4-wheel drive
Front axle	Komatsu HD axle, semi-floating (LSD-differential optional)
Rear axle	Komatsu HD axle, semi-floating, 24° swing angle (LSD-differential optional)
Tyres	20.5 R25

## ENVIRONMENT

Engine emissions	Fully complies with EU Stage IV exhaust emission regulations
Noise levels	
LwA external	104 dB(A) (2000/14/EC Stage II)
LpA operator ear	68 dB(A) (ISO 6396 dynamic test)

## DIMENSIONS

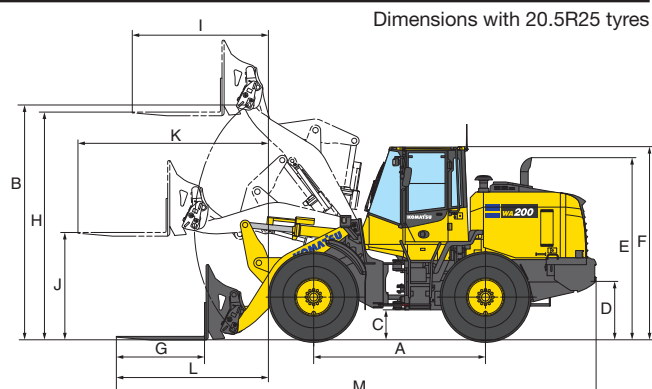


### Dimensions

	Tread	1.930 mm
	Width over tires	2.470 mm
A	Wheelbase	2.840 mm
B	Hinge pin height, maximum height	3.885 mm
C	Ground clearance	495 mm
D	Hitch height	965 mm
E	Overall height, top of stack	3.010 mm
F	Overall height, ROPS cab	3.200 mm

### with 2,0 m<sup>3</sup> stockpile bucket

G	Max. dumping height	2.965 mm
H	Reach at max. height	925 mm
I	Operating height, fully raised	5.150 mm
J	Overall length, bucket on ground	7.130 mm



### with fork tines

G	Fork tine length	1.200 mm
H	Ground to top of tine at maximum lift	3.885 mm
I	Reach at maximum lift	1.940 mm
J	Ground to top of tine	1.780 mm
K	Reach	2.820 mm
L	Reach on ground	2.185 mm
M	Overall length	7.775 mm
	Max. payload as per EN 474-3, 80%	4.415 kg